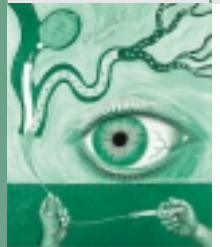
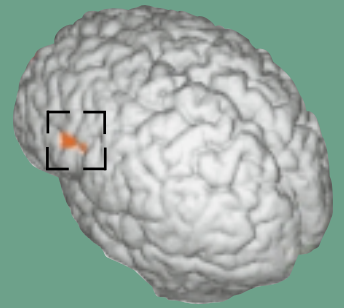


NEURORADIOLOGY

Intravascular Infusion
Micro Catheter



1.2F
1.5F
1.8F

Magic[®]

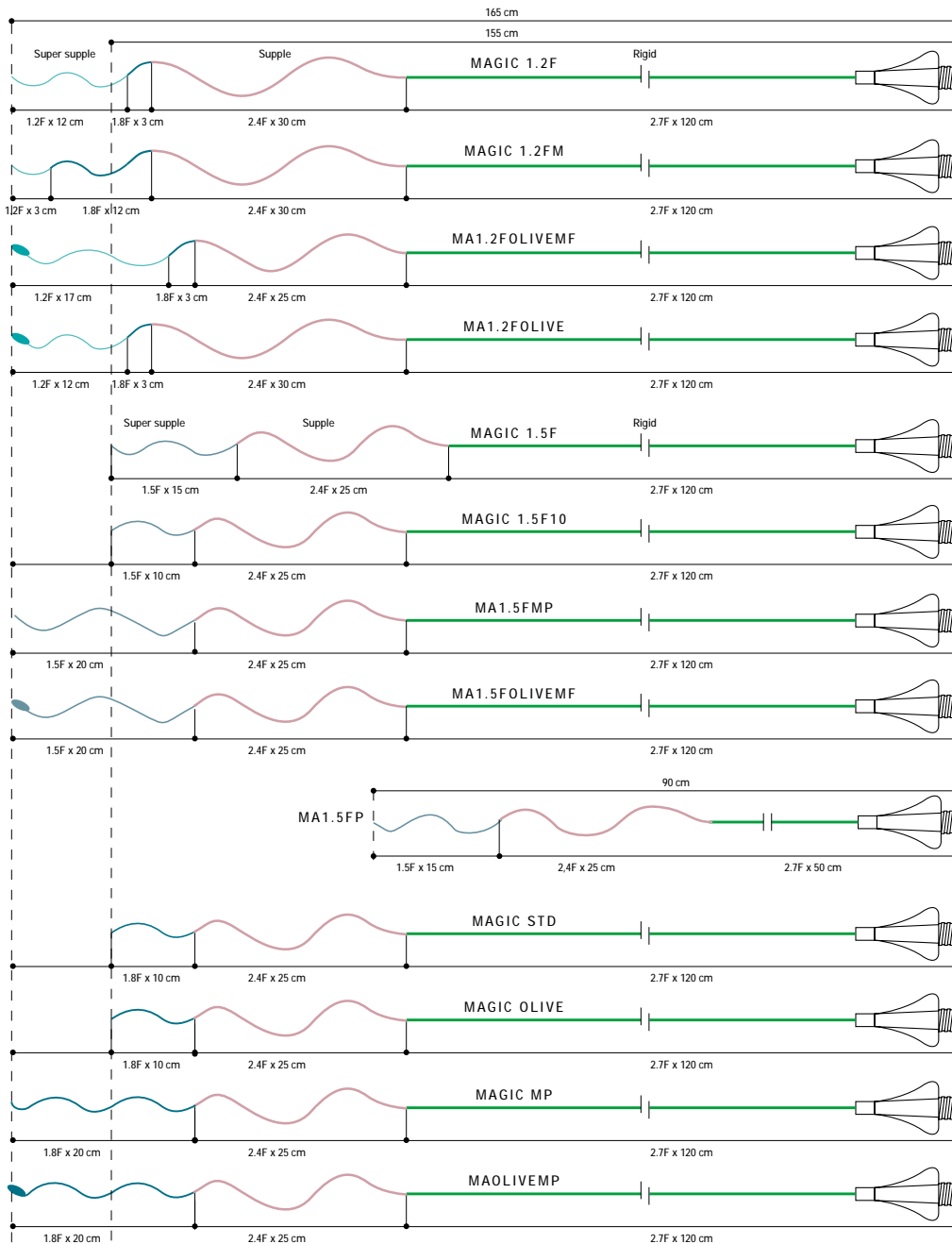
HYDROSPEED™

The only real flow-dependant
cerebral catheter

BALT
EXTRUSION

Magic[®]

Intravascular Infusion Microcatheter

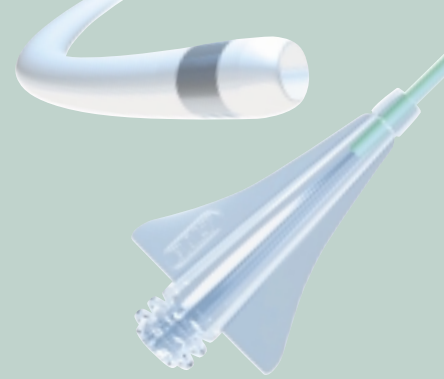


INDICATIONS

MAGIC catheters are mainly used for in the treatment of cerebral AVM (Arterio-venous malformation). These AVMs are made from abnormal communication between arteries and cerebral veins. These form a mass of vessels which are abnormally dilated on the surface or in the depth of the cerebral parenchyma. There are several therapeutic methods available for the treatment of these AVM, however the one which is of interest here is embolisation. Embolisation consists of specifically obstructing the deformed vessels by injecting a biological glue through endovascular route.



10, RUE CROIX VIGNERON - 95160 MONTMORENCY - FRANCE
 TÉL : (33) (0)1 39 89 46 41 - FAX : (33) (0)1 34 17 03 46
 www.balt.fr — balt @ balt fr



The MAGIC catheters are the only real flow dependant catheters, meaning that their progression through the arteries system is facilitated by the blood flow. This characteristic is achieved thanks to an extreme suppleness of the PUR SIL tubes (pink or white) which allow a fast and non traumatic progression of the catheter inside the blood vessels. It was actually this remarkable property of the catheter that led the users to naming it 'MAGIC'.

Progressive suppleness

This concept of a succession of different parts more and more supple makes MAGIC a catheter with progressive suppleness. The diameter decreases from the proximal part to the distal part. The diameter of the Torver is always 2.7F, the diameter of the medium part is 2.4F

Transparent proximal part

The rigid proximal part is made of a polymer with a very clear transparency which allows a perfect visualisation of the blood reflux and possible air bubbles.

An improved radiopacity

The position of the distal tip can be detected thanks to a platinum ring. The catheter is radio - opaque (except for the Torver part). The super supple distal part of the MAGIC can be steamed thermoformed but that must be done without the use of a mandrel.

