

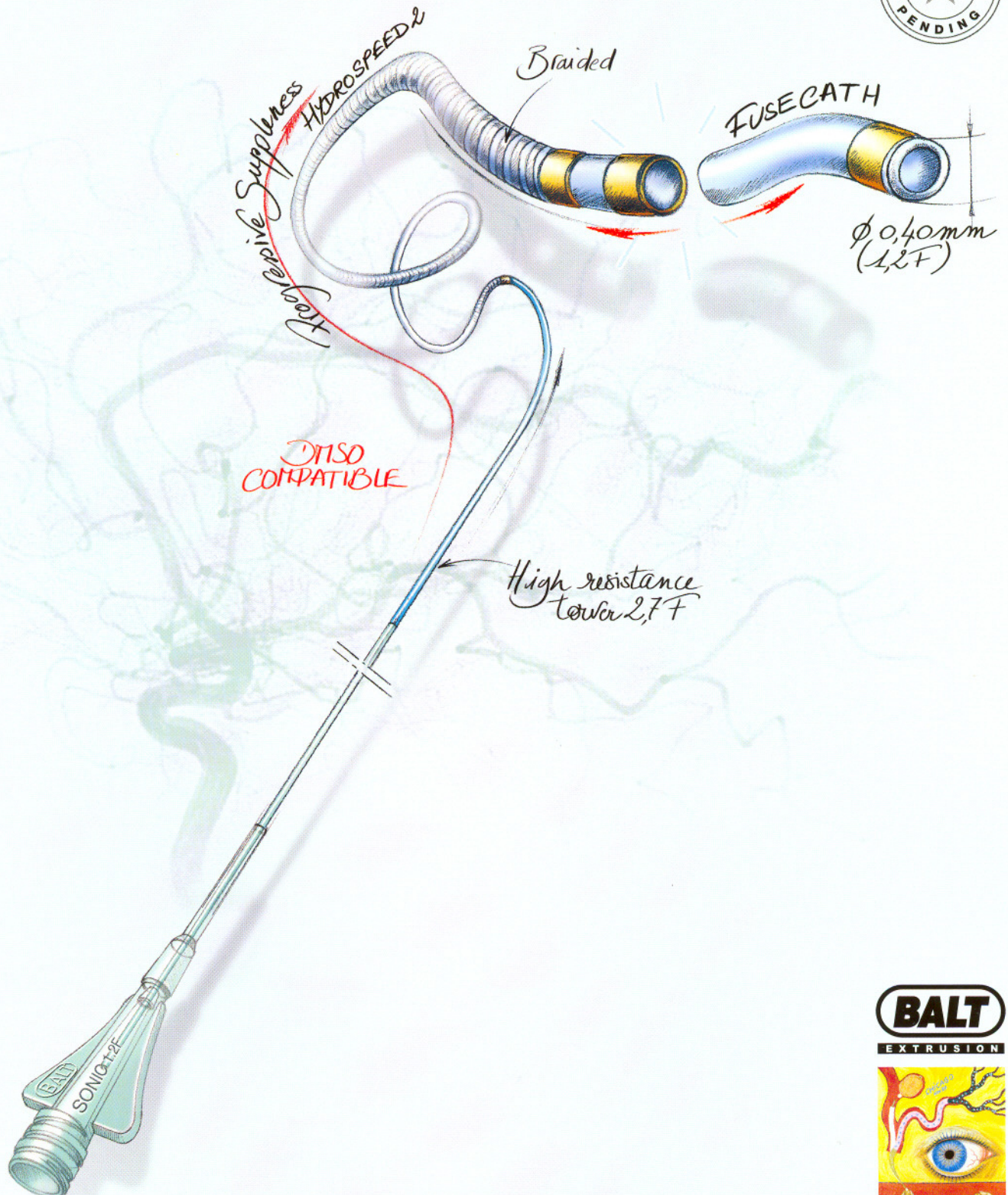
# BALT SONIC

## FLOW-DEPENDANT BRAIDED MICROCATHETER

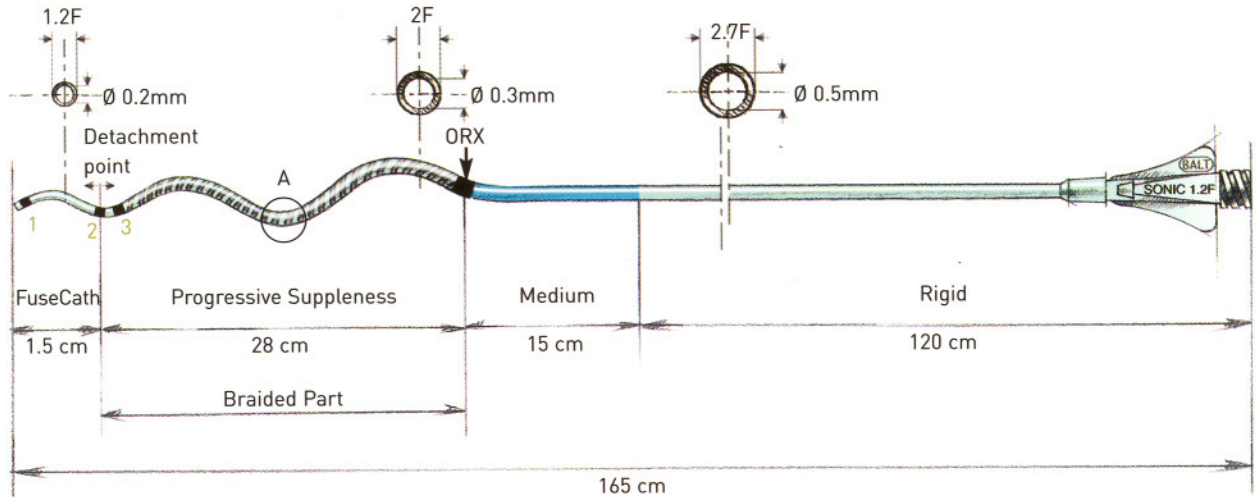
The Magic, known since 1987, is still regarded as the best flow-dependant catheter, but it is made of polymers which don't resist DMSO-based embolisation products.

BALT SONIC keeps the qualities of the Magic catheter with a high **resistance to pressure** and a full **DMSO compatibility**.

What is more, the SONIC is equipped with the patented system *FuseCath* which allows its distal part to come away when stuck in the embolisation product.

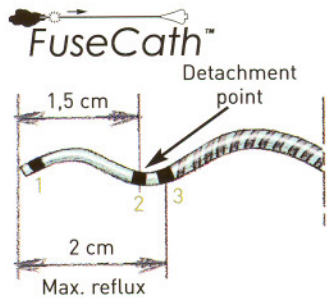


# SONIC 1.2F



3 radiopaque markers:

- 1-Distal tip
- 2-Detachment point
- 3-Maximum reflux



## Safety system FUSECATH

The SONIC catheter is equipped with the FuseCath system which limits the consequences of the distal part sticking in the embolization product: with a moderate traction, the tip of the SONIC will come away from the rest of the catheter and therefore:

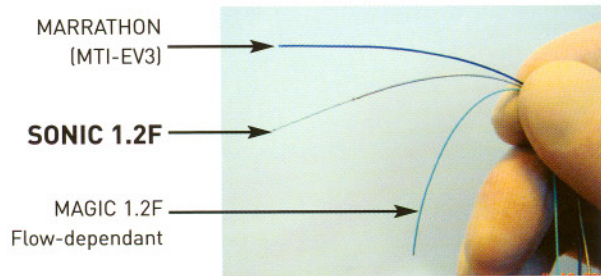
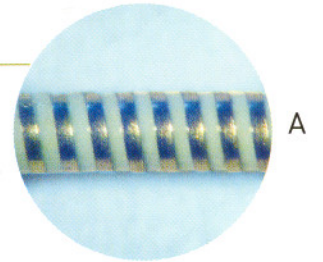
- the effort transmitted to the arteries remains low and the hemorrhage risks are minimized
- there is no risk of leaving the full catheter in position.

The maximum reflux allowed for the FuseCath to be effective is 2 cm (3rd ORX marker). A longer reflux will trap the catheter.



## Resistance to pressure

A new type of micro-braiding developed by Balt reinforces the SONIC supple distal part. This new technology, Balt's exclusivity, makes SONIC resistant to high pressures for really safe injections...

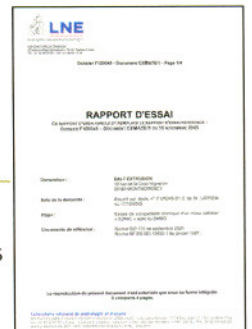


## Flow-Dependant

... and enables the SONIC to keep a great suppleness, a key factor for excellent navigation performances.

## Fully DMSO compatible

The full compatibility of the SONIC with DMSO solvent has been validated by an independent laboratory (Laboratoire National de Métrologie et d'Essais - Paris - France) and by animal trials.



## Main characteristics:

- |   |   |
|---|---|
| Reference : SONIC1.2F   | Microguidewire compatible: STEEL007 (Ø 0,18 mm) |
| Øext Distal : 1.2F (Ø 0,40 mm)  | Total length: 165 cm                            |
| Øext Proximal : 2.7F (Ø 0,90 mm)                                      | Flow-Dependant                                  |
| Dead space : 0.4 ml   | DMSO compatible                                 |
| Length of detachable part FuseCath: 1.5cm                             |   |
| Maximum length for the reflux of embolization product: 2 cm           |   |
| A compatible guidewire STEEL007 is delivered with each SONIC catheter |   |

**Caution:** To avoid any risk to damage the FuseCath system, use exclusively a guidewire STEEL007.