

FARGO

Progressive suppleness guiding catheter



BALT
EXTRUSION



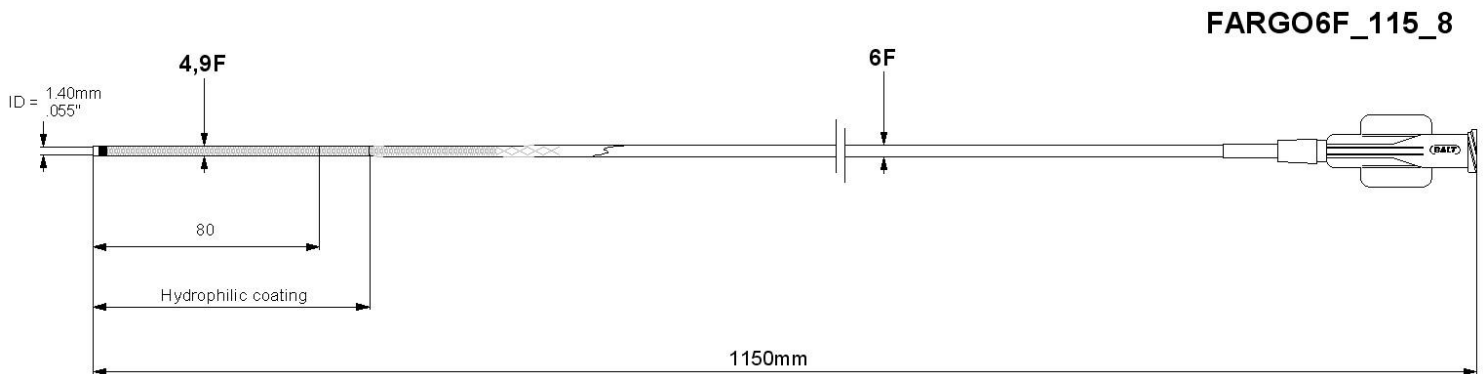
BALT
EXTRUSION

L'INNOVATION SUR MESURE*
www.balt.fr

FARGO

Technical information

- Fargo is a 6F guiding catheter with a 8cm, 4.9F super supple distal part, which enables to pass acute curves. It can pass the carotid syphon and as well be placed up to the basilar artery.
- The total length of the catheter is 115 cm.
- The distal 10cm of the catheter are hydrophilic to improve the glide and the navigation.
- The internal diameter is 1.40mm - .055"
- A new braiding technology with variable geometry.



Indications

FARGO has been designed for :

- Thrombus proximal aspiration.
- Tough navigations of microcatheters when an usual guiding catheter is not stable.
- Tri-axial technique inside a 6F long introducer (IVA6F80).
- FARGO is recommended for all stenting procedures, especially for the SILK, as it gives « 1 to1 » control.

Comparison with competitors' products

Compared to the NEURON (PENUMBRA) :

- The distal part of the FARGO kinks less easily (if you make a demonstration, please remember to wet the end of the FARGO because the hydrophilic coating is rigid).
- The internal diameter of the FARGO (1,40 mm - .055") is bigger than the one of the NEURON (1,35 mm - .053") and it allows better roadmaps (it makes the difference despite the small difference !).
- Thanks to the braiding of variable geometry, the frame of the FARGO gives a better proximal support and a better distal suppleness.
- A new technology of extrusion (BALT's exclusivity) allows us to obtain a smooth and continue transition between the very rigid and supple part.

References :

FARGO6F_115_8



10, rue de la Croix Vigneron
95160 Montmorency • France
Tél. : +33 (0)1 39 89 46 41
Fax : +33 (0)1 34 17 03 46
www.balt.fr

Total length of the catheter (cm)

Length of the distal super supple part (cm)