

# FARGO & FARGOMAX

Progressive suppleness guiding catheters



**BALT**  
**EXTRUSION**



L'INNOVATION SUR MESURE\*  
[www.balt.fr](http://www.balt.fr)

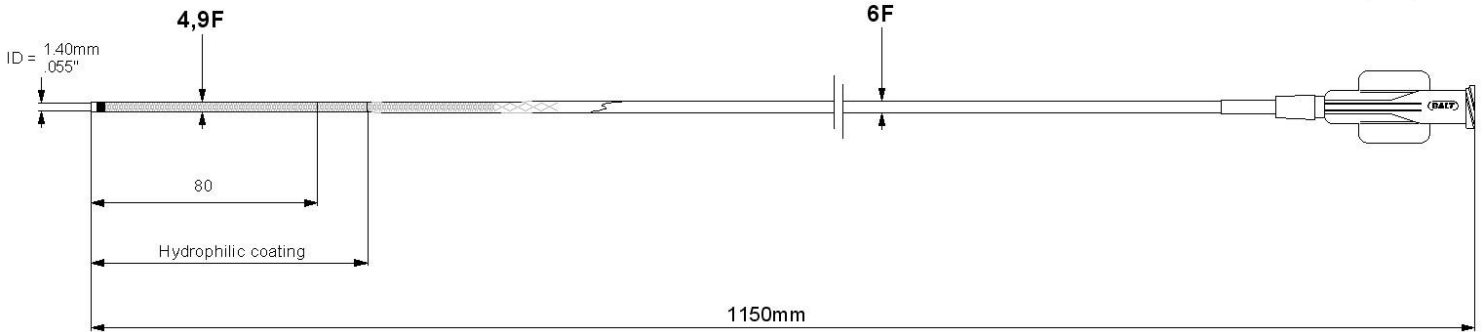
# FARGO

« Unique guiding-catheter »

## Technical information

- FARGO is a 6F guiding catheter with a 8cm-4.9F super supple distal part, which enables to pass acute curves. It can pass the carotid syphon and as well being placed up to the basilar artery.
- The total length of the catheter is 115 cm.
- The distal 10cm of the catheter are hydrophilic coated to improve the glide and the navigation.
- The internal diameter is 1.40mm - .055"
- It benefits from the brand new braiding technology with variable geometry.

Ref :FARGO6F\_115\_8



## Indications

- Tough navigations of microcatheters when an usual guiding catheter is not stable enough.
- Thrombus proximal aspiration.
- Tri-axial technique inside a 6F long introducer (IVA6F80).
- FARGO is recommended for all stenting procedures, especially for the SILK, as it gives « 1 to1 » control.

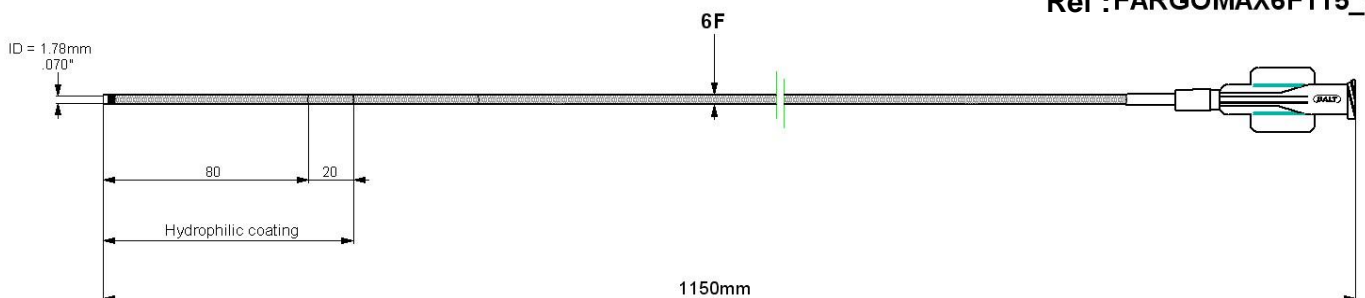
# FARGOMAX

« Unique guiding-catheter »

## Technical information

FARGO is a 6F guiding catheter with a 8cm, super supple distal part, which enables to pass acute curves. Its internal diameter is 1.78mm (.070") all along the catheter. The total length is 115cm.

Ref :FARGOMAX6F115\_8



## Indications

- Distal remodeling techniques with single guiding catheter. Both coiling catheter (VASCO+10) and remodeling balloon (ECLIPSE, COPERNIC) go through the lumen of FARGOMAX.
- Thrombus proximal aspiration.

